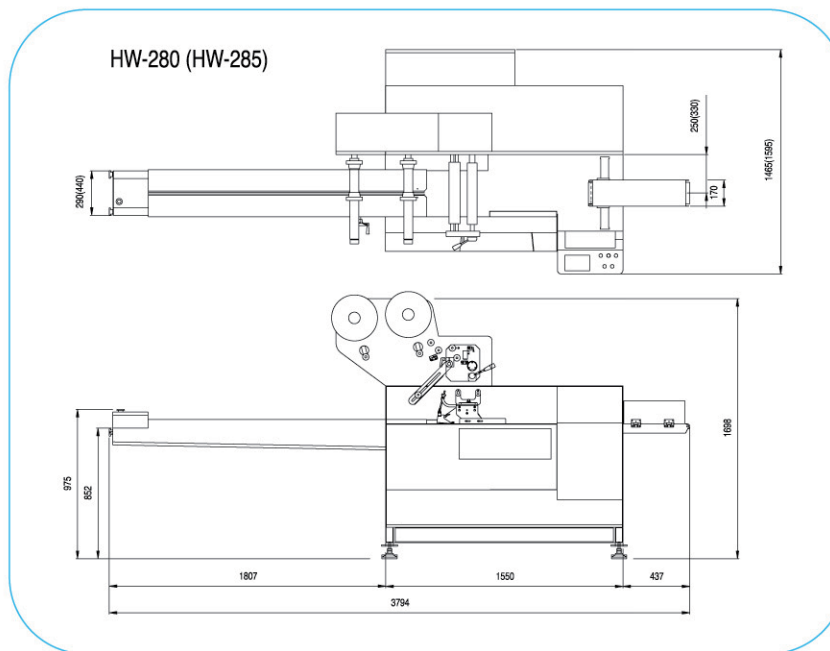


DIMENSIONAL DRAWING:



SPECIFICATIONS:

MODEL	HW-280	HW-285
PACKAGING STYLE	PILLOW TYPE	
WRAPPING SIZE	LENGTH	80-500 MM
	WIDTH	20-120 MM
	HEIGHT	105 MM
MAX. FILM WIDTH	400 MM	600 MM
MAX. FILM DIAMETER	Ø 300 MM	Ø 300 MM
MACHINE SPEED	UP TO 250 PACKAGES/MIN	
FILM SPEED	UP TO 50 METERS/MIN	
VOLTAGE	220V, 50/60Hz, 3 PHASE STANDARD	
POWER USAGE	15AMPS, 3KW	
MACHINE WEIGHT	930KG	

(Above specification may be different, subject to different inquiry. The manufacturers reserve the right to change design and/or specifications without prior notice.)



HERSONBER

HIGH SPEED ELECTRONIC HORIZONTAL WRAPPER



HERSONBER INDUSTRIAL CO., LTD.

No. 18 Lane 156, Feng Nan St., Feng Yuan, Taiwan.

TEL: +886-4-25235829 FAX: +886-4-25276923

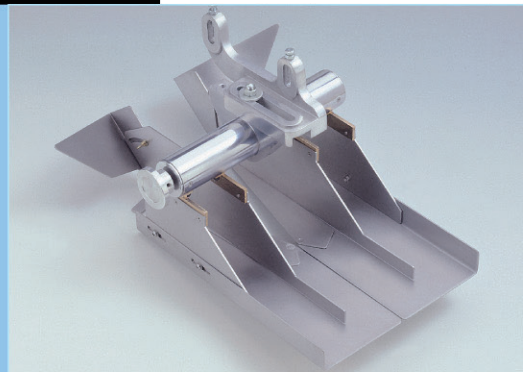
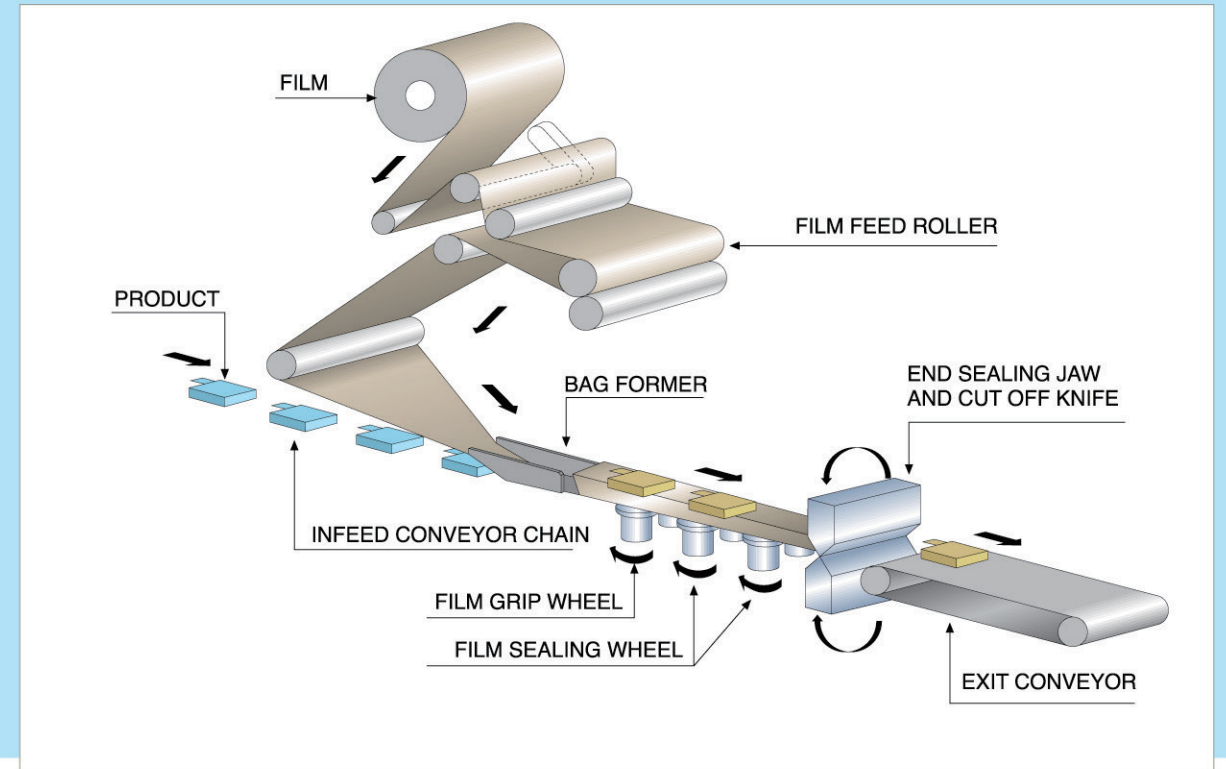
E-mail: hsbpack@seed.net.tw

<http://www.hersonber.com>

AGENT

High Speed Electronic Horizontal Wrapper

Fully servo driven, product parameters memorized, efficient production, few maintenance.



ADJUSTABLE BAG FORMER

HW-280



FEATURES:

- ▲ Cantilevered frame.
- ▲ Self-centering double reel holder.
- ▲ 3 servo motors.
- ▲ 3 fin wheel unit (1-cold, 2-hot).
- ▲ Up to 30 product parameters can be memorized, including speed, bag length, crimper dwell, product position and temperature.
- ▲ No product - no bag.
- ▲ No gap - no seal.
- ▲ Touch screen for operator interface.
- ▲ Photocell for registered film.
- ▲ Film tension control.
- ▲ Film run - out alarm system.
- ▲ Automatic heated fin wheel release.
- ▲ Food grade product contact parts.

OPTIONAL:

- ▲ Adjustable bag former.
- ▲ Date coder.
- ▲ Stainless steel frame.
- ▲ Automatic film splicer.
- ▲ Package gusseting.
- ▲ Hole punch crimpers.
- ▲ Gas flushing device.
- ▲ Automatic feeders.