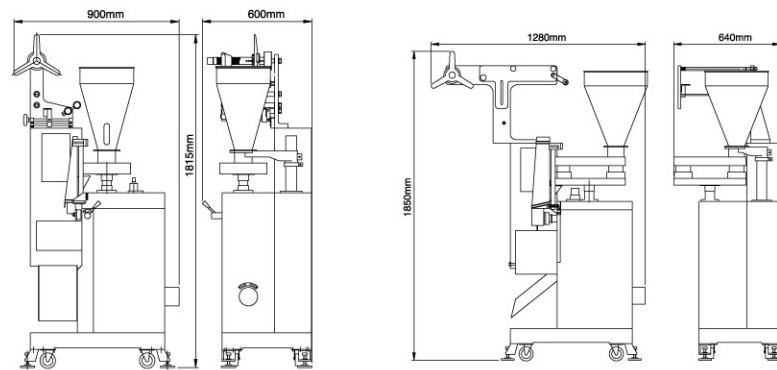


DIMENSIONAL DRAWING:

HW-103

HW-122C



SPECIFICATIONS:

MODEL	HW-102	HW-103	HW-104
PACKAGING STYLE	PILLOW TYPE SEAL	3-SIDE SEAL	4-SIDE SEAL
APPLICATION	SUGAR, SALT, PEPPER, DETERGENT, SEEDS, TEA, COFFEE, MEDICINE, BEANS, ETC.		
FILM MATERIAL	ANY LAMINATED HEAT SEALABLE MATERIAL		
MAXIMUM FILM WIDTH	160MM		
POUCH SIZE	50-120(L) X 30-80(W) MM		
PACKING RANGE	1-30GM (SUBJECT BY POUCH SIZE CAPACITY)		
OPERATING SPEED	40-70 POUCHES / MIN		
POWER SUPPLY	110/220V, 1 PHASE, 50/60HZ		
MACHINE WEIGHT	APPROX. 300KG		

MODEL	HW-122	HW-123	HW-124
PACKAGING STYLE	PILLOW TYPE SEAL	3-SIDE SEAL	4-SIDE SEAL
APPLICATION	GRANULAR, PARTICULATE, SOLIDIFIED MATERIALS, TEA, COFFEE, BEANS, CONFECTIONERY AND SMALL ELECTRONIC PARTS ETC.		
FILM MATERIAL	ANY LAMINATED HEAT SEALABLE MATERIAL		
MAXIMUM FILM WIDTH	330MM		
POUCH SIZE	80-200(L) X 80-150(W) MM		
PACKING RANGE	100-300GM (SUBJECT BY POUCH SIZE CAPACITY)		
OPERATING SPEED	20-45 POUCHES / MIN		
POWER SUPPLY	110/220V, 1 PHASE, 50/60HZ		
MACHINE WEIGHT	APPROX. 350KG		



HERSONBER INDUSTRIAL CO., LTD.

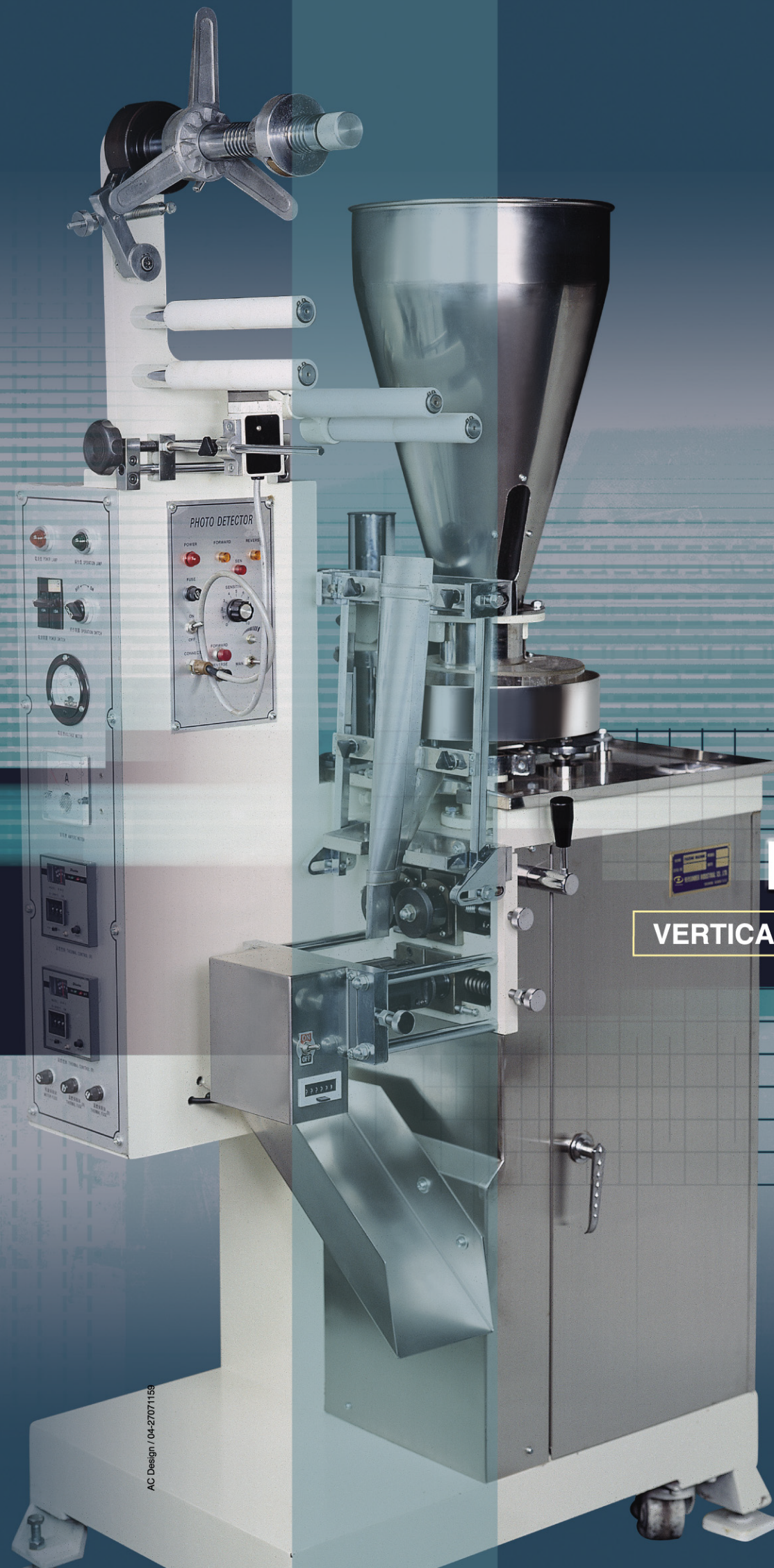
No. 18 Lane 156, Feng Nan St., Feng Yuan, Taiwan.

TEL: +886-4-25235829 FAX: +886-4-25276923

E-mail: hsbpack@ms19.hinet.net

<http://www.hersonber.com>

AGENT



HERSONBER

VERTICAL FORM-FILL-SEAL MACHINE

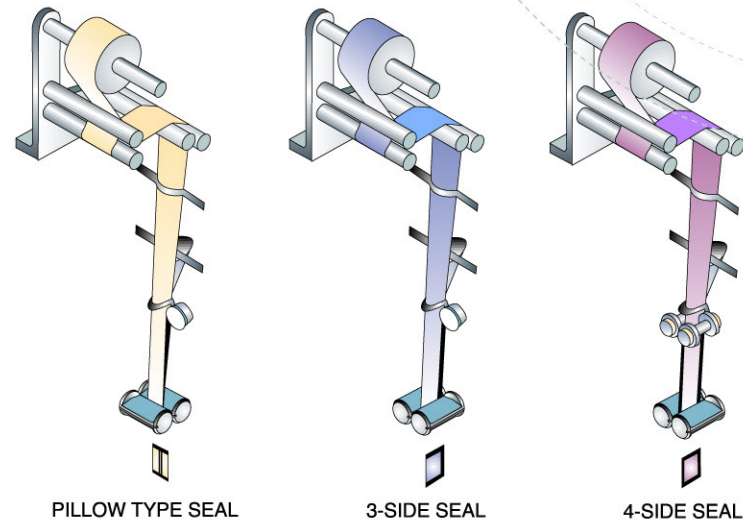
FOR LIQUID



VERTICAL FORM-FILL-SEAL MACHINE

HW-103

THE COMPLETE PACKAGING PROCESS-FROM BAG FORMING,WEIGHING,MEASURING,FILLING, HEAT-SEALING, DATE OR BATCH NUMBERING AND CUTTING IS DONE AUTOMTICALLY.



OPTION:SOLID INK CODER

FEATURES:

- ▲ Film reels have quick release locks and micro-adjustment.
- ▲ Step-less speed control adjustment throughout the range.
- ▲ Pack lengths are adjustable throughout the range without the need for change parts.
- ▲ Equipped with Photo-Electric Print Registration Control, for the accurate positioning and cutting of printed film.
- ▲ A wide variety of filling systems is available.

DESIGNED FOR:

- ▲ EASE OF OPERATION
- ▲ COMPACT CONSTRUCTION
- ▲ EASE OF MAINTENANCE AND REPAIR



HW-122C

AUTO WEIGHER

